


Eclipse RatioMatic

Burners

Model RM0500

Version 5

Parameter	Specifications		
	Chamber Pressure "w.c. (mbar)	50 Hz	60 Hz
Blower Type			
Maximum Input, Btu/h (kW)¹ <i>For chamber pressures outside the given range or for varying chamber pressure conditions, contact Eclipse, Inc.</i>	-5.0 (-12.4)	5,700,000 (1670)	5,780,000 (1690)
	-2.0 (-5.0)	5,300,000 (1550)	5,380,000 (1580)
	0.0 (0.0)	5,010,000 (1470)	5,100,000 (1490)
	2.0 (5.0)	4,710,000 (1380)	4,800,000 (1410)
	5.0 (12.4)	4,210,000 (1230)	4,310,000 (1260)
Minimum Input, Btu/h (kW)² <i>For lower inputs, contact Eclipse, Inc.</i>	75,000 (22)		
Main Gas Inlet Pressure, psig (mbar)³ <i>Fuel pressure at ratio regulator inlet</i>	Natural Gas	1.0 to 2.0 (70 to 140)	
	Propane/Butane	1.0 to 1.5 (70 to 105)	
High Fire Visible Flame Length, inches (mm) <i>Measured from the outlet end of the combustor</i>	Natural Gas	56 (1430)	
	Propane/Butane	64 (1630)	
Maximum Chamber Temperature, °F (°C)	Alloy Tube	1500 (815)	
	Block & Holder	1900 (1038)	
Flame Detection	Alloy Tube	Flamerod or UV Scanner	
	Block & Holder	UV scanner only	
Fuels⁴ <i>For any other mixed gas, contact Eclipse, Inc.</i>	Natural Gas, Propane, Butane		
Blower Motor Power, Hp (kW)		5.4 (4)	5.0 (3.7)
Weight, lbs (kg)⁵	Alloy Tube	410 (186)	
	Refractory	556 (252)	
Approvals			

¹ Maximum inputs for packaged blower versions are given for the standard combustion air blower without an inlet air filter.

² Turndown input based on neutral chamber conditions. Contact Eclipse for other chamber pressures.

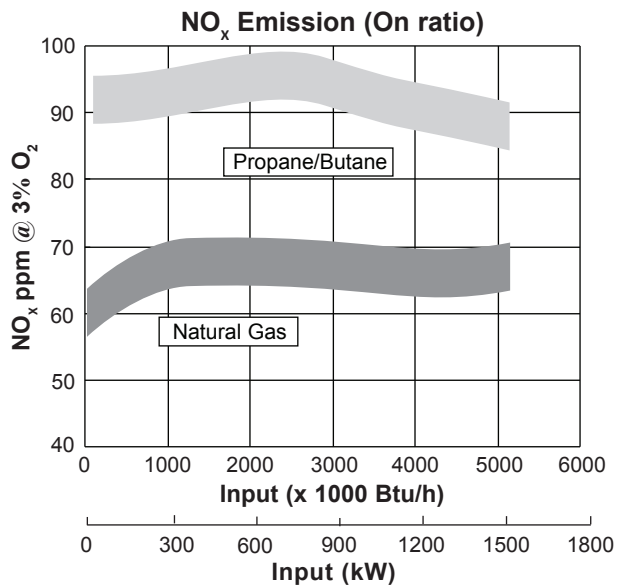
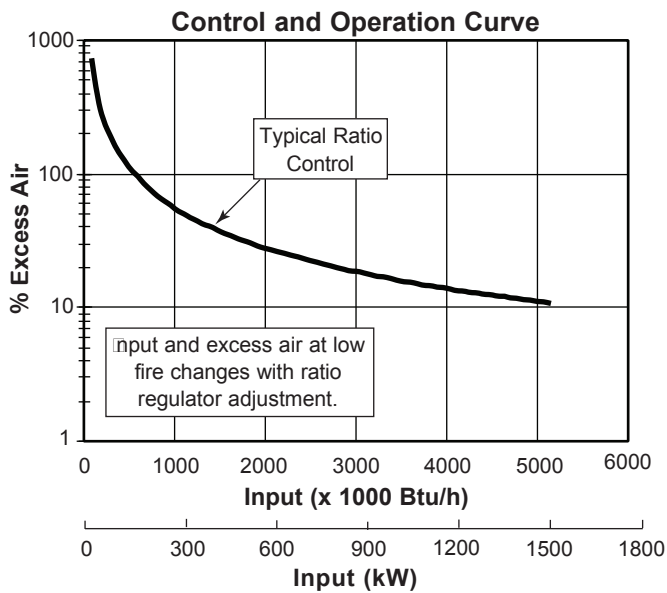
³ For proper performance, this pressure must be kept constant across the burner operating range.

⁴ See Design Guide 110 for more information about typical fuel composition and properties.

⁵ All weights are approximate.

- All information is based on laboratory testing. Different chamber conditions will affect the data.
- All inputs based upon gross calorific values and standard conditions; 1 atmosphere, 70°F (21°C).
- Eclipse reserves the right to change the construction and/or configuration of our products at any time without being obliged to adjust earlier supplies accordingly.

Performance Graphs



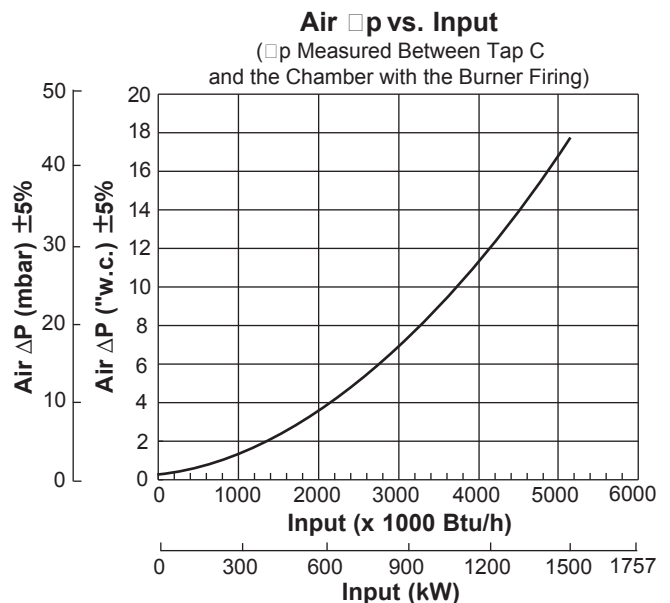
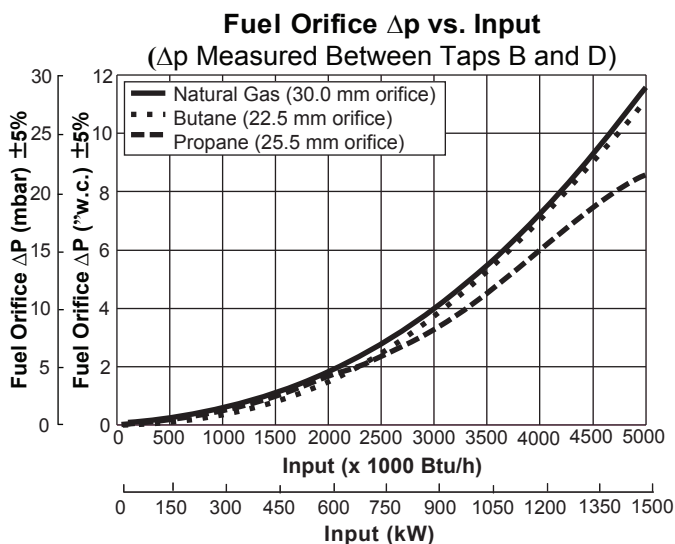
NO_x Emission data is given for:

- Ambient combustion air ~70°F (21°C)
- Less than 1000°F (540°C) firing chamber
- Minimal process air velocity
- Low fire input adjusted to 75,000 Btu/h (22 kW)
- ppm volume, dry @ 3% O₂
- Neutral chamber pressure

Emissions from the burner are influenced by:

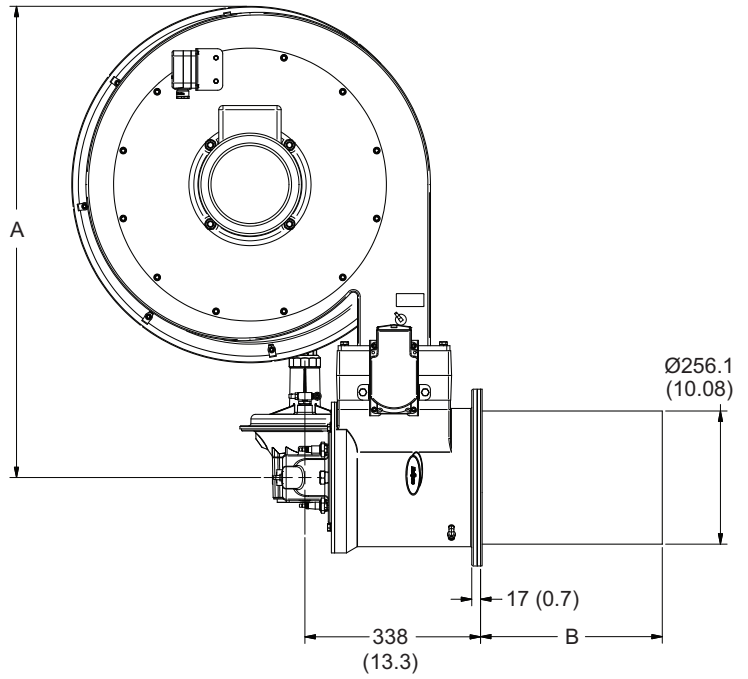
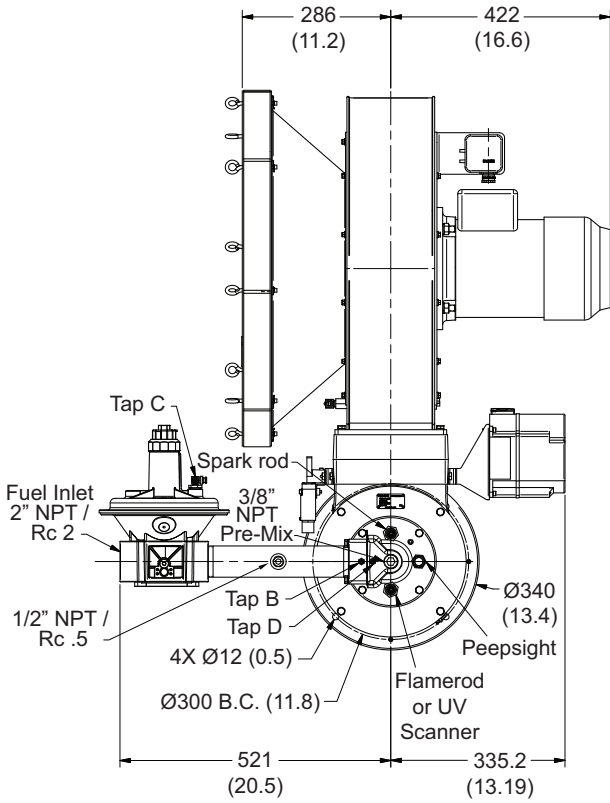
- Chamber conditions
- Fuel type
- Firing rate
- Ratio regulator adjustment
- Combustion air temperature

CO emission is largely influenced by chamber conditions. Contact your local Eclipse representative for an estimate of CO emission on your application.



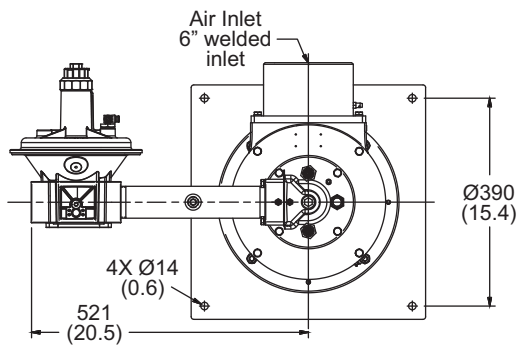
Dimensions and Specifications

Dimensions in mm (inches)

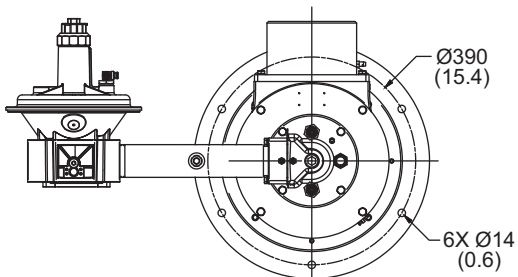
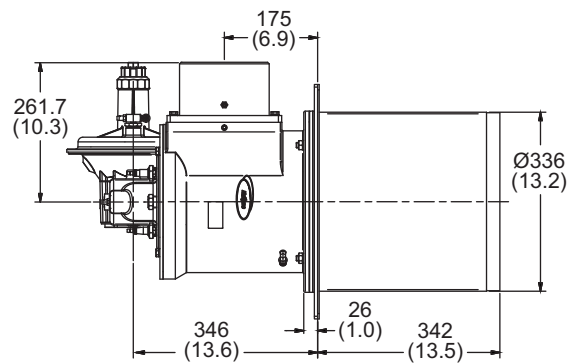


Blower Size	A
50 Hz	907 (35.7)
60 Hz	857 (33.7)

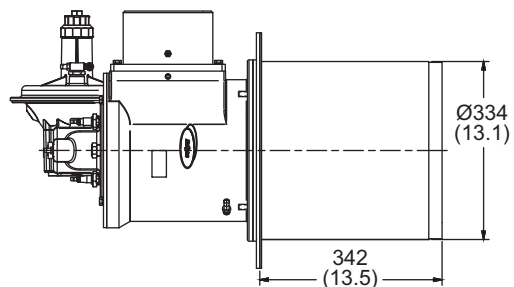
Combustor Type	B
Straight Stainless Steel Alloy Tube	349.6 (13.8)
Straight Stainless Steel Alloy Tube	425.6 (16.8)



Square Block and Holder

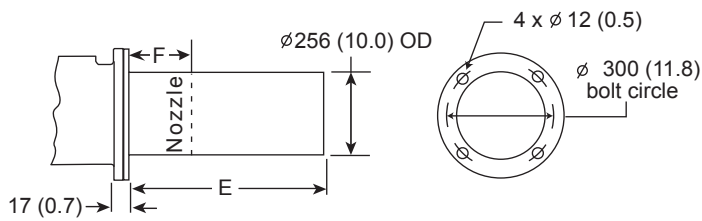


Round Block and Holder



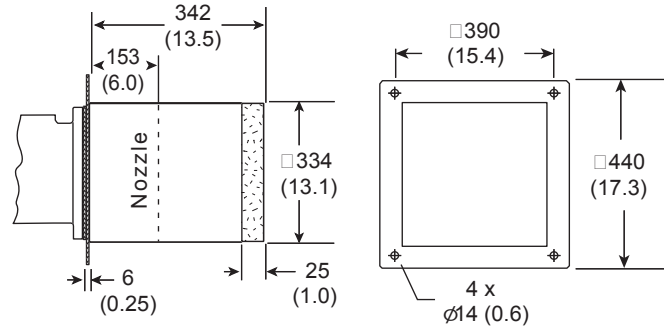
Combustor Options

Alloy Combustor

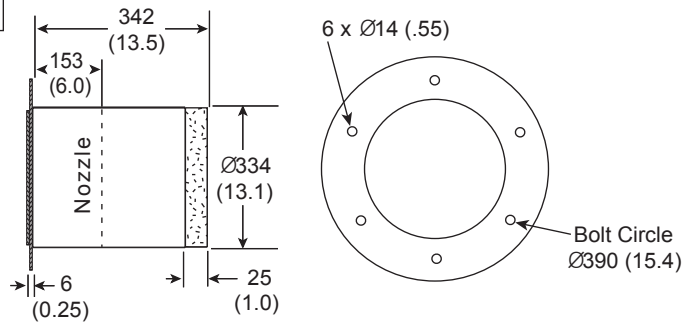


E	F
350 (13.8)	153 (6.0)
426 (16.8)	229 (9.0)

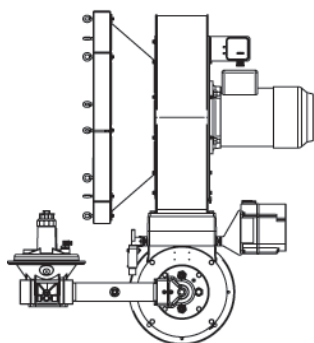
Square Block & Holder



Round Block & Holder

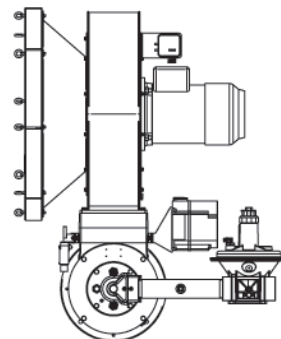
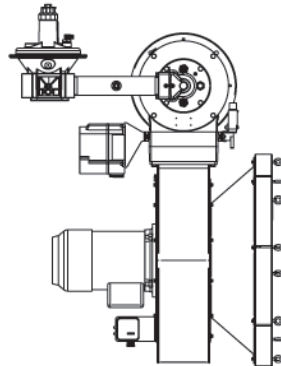


Burner Configurations



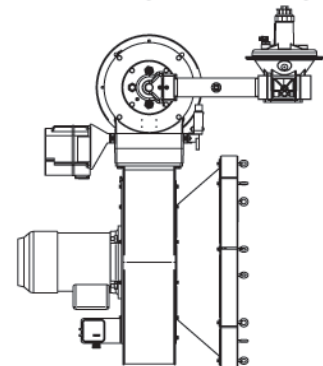
Upright Left Hand Piping

Inverted Left Hand Piping



Upright Right Hand Piping

Inverted Right Hand Piping



Even though the blower motor is on the "left" side of the inverted units, it is still a "right hand" motor in relationship to the blower assembly.

Offered By:



Power Equipment Company

2011 Williamsburg Road Richmond, Virginia 23231

Tel: 804-236-3800 Fax: 804-236-3882 www.peconet.com